

Building CURVED glass blocks walls has never been so easy!

Based on our long experience, we developed an innovative system for constructing rounded surfaces made of glass blocks. Block Lock 360 is based on the application of a curved profile with a 9° angle and allows building curved walls with 19x19x8 as well as 19x8x8 glass blocks.



Set for **25** glass blocks

EASY TO BUY
EASY TO INSTALL



NEW !



www.blocklock.se

BlockLock system is manufactured by Vetro Group AB.
Adress: Kvistvägen 2, 433 48 Partille, Sweden

**BLOCK
LOCK**
ORIGINAL



1 Check that there is 90 angle between the floor and the wall.



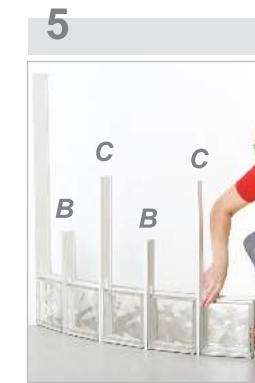
2 Apply glue in the middle of the wall profile (D) and the horizontal profile (A). Attach these to the wall and to the floor and then apply glue on the upper side of the horizontal profile and 20 cm up on the wall profile.



3 Place the first glass block and attach to it the short vertical profile (B) and horizontal profile (A).



4 Apply glue on the upper side of the horizontal profile and 20cm up on the vertical profile.



5 Place next glass blocks repeating steps 3 and 4. Attach the vertical profiles (B) and (C) alternately.



6 Apply the glue and attach the horizontal profiles (A) over the first layer of glass blocks.



7 Apply glue on the horizontal and 20 cm up on the vertical profiles. Place the next layer of glass blocks by sliding them in between the profiles.



8 Continue with the next layer. Attach the vertical profiles (C) in the where required places. Finish the layer repeating step 6.



9 Continue with the next layer. Attach the vertical profiles (B) in the where required places. Finish the layer repeating step 6.



10 Apply glue on the horizontal and on the vertical profiles. Place the last layer of glass blocks by sliding them in between the profiles.

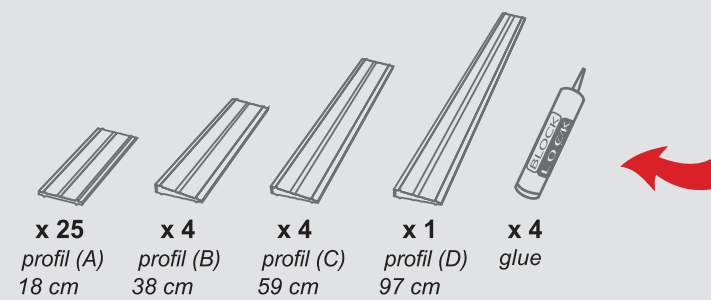


11 After the wall has dried for approximately 24 hours, grout the wall with Block Lock grout or any other grout for glass blocks.

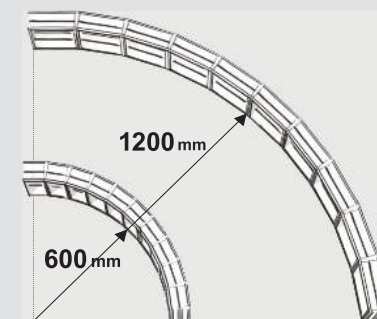
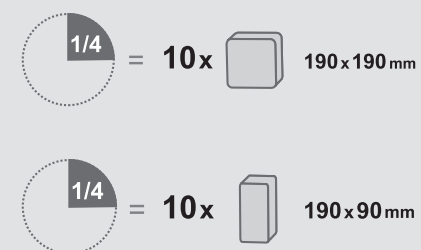


12 The standard Block Lock 360 Sets for 25 glass blocks can be easily combined to bigger walls.

1 SET CONTAINS



RADIUS



JOINT SIZE

