

SCP Expansionthene LD

Standard Polyethylene Foam Expansion Joint Filler Board

Technical Data Sheet No. 019

January 2005

Description:

SCP Expansionthene LD Fillerboard is a closed cell expanded polyethylene foam supplied in sheet form or in strips cut to depth of slab or thickness of wall. The outer edge of the strips are supplied undercut to the depth of sealant to allow for easy removal prior to sealing. Expansionthene LD is robust, non-absorbent, has low load transfer, is non-extruding, has excellent recoverability from 50% compression and is resistant to attack from most acids and alkalis.

Uses:

SCP Expansionthene LD Joint Fillerboard is recommended for use in isolation joints between concrete slab and walls, around columns, brickwork expansion joints and Water Retaining Structures up to a 2 metre head of water.

Physical Properties

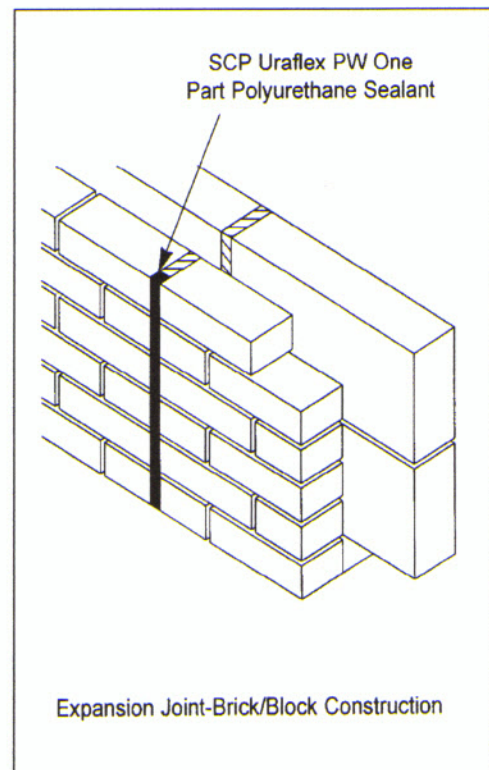
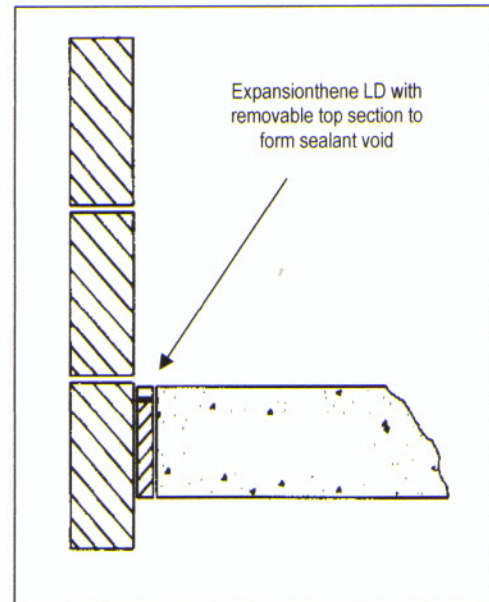
Tensile strength	2.6kp/cm ²
Elongation	85%
Water Absorption	Nil
Recovery from 50% compression	
Immediate release	100%
Release after 24 hours	90.4%
Thermal Conductivity	0°C-0.038 W/m/°K 23°C-0.042 W/m/°K 40°C-0.045 W/m/°K
Compressive Strength	25% - 0.035 N/mm ² 50% - 0.09 N/mm ²
Nominal Density	30kg m ³

Specification Compliance

D.O.T. Specification for Highway Works Part 3: Clause 1015

Sizes

Thickness	10mm, 12mm, 15mm, 20mm, 25mm, 50mm
Cut strip depth	100mm, 150mm, 175mm 200mm
Sheet Size	2.0m x 1.0m

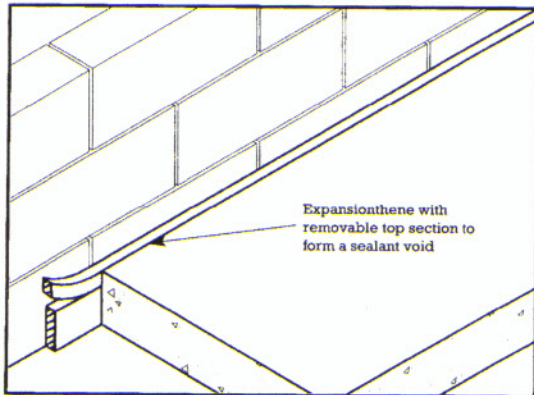


Typical Applications

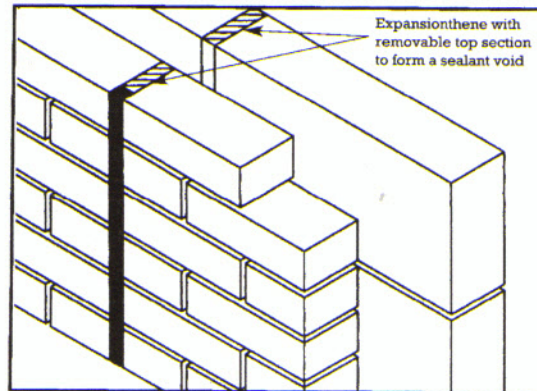


Technical Data Sheet No. 019 Page 2

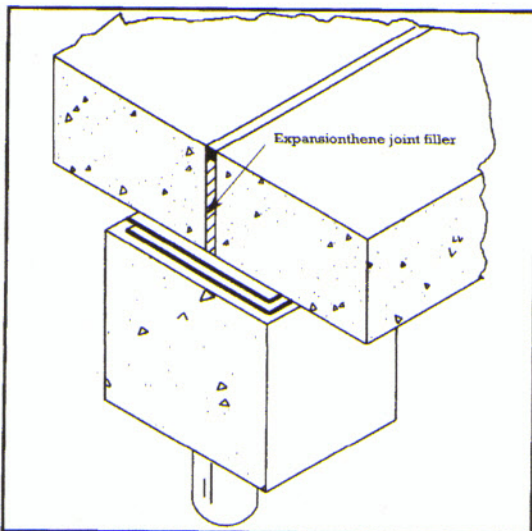
January 2005



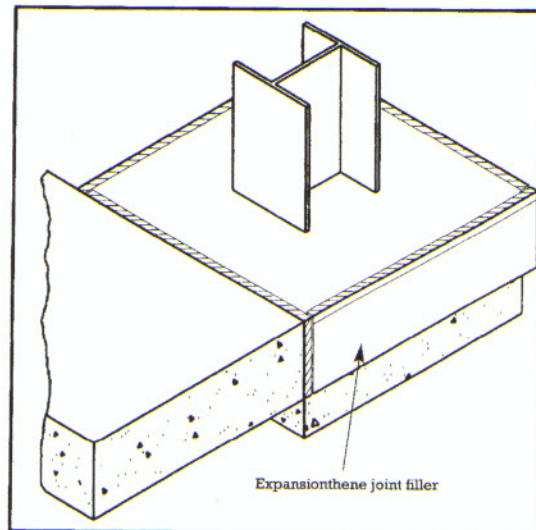
Wall to floor slab isolation joint



Wall expansion joint



Bridge abutment expansion joint



Column to floor slab isolation joint